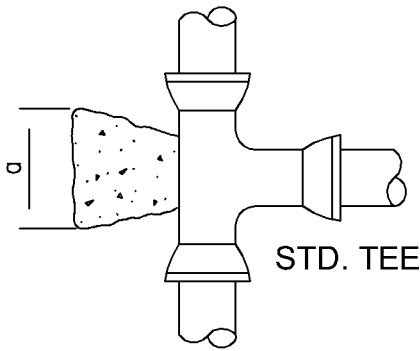
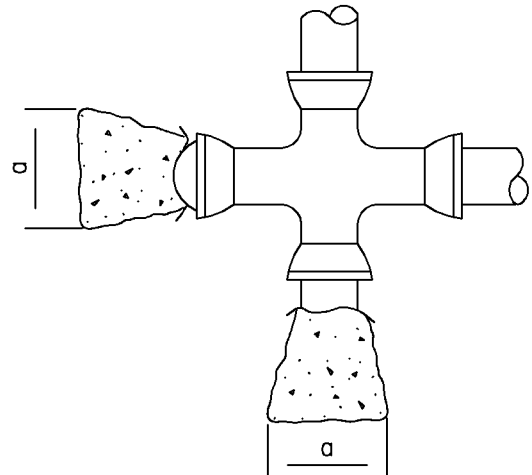


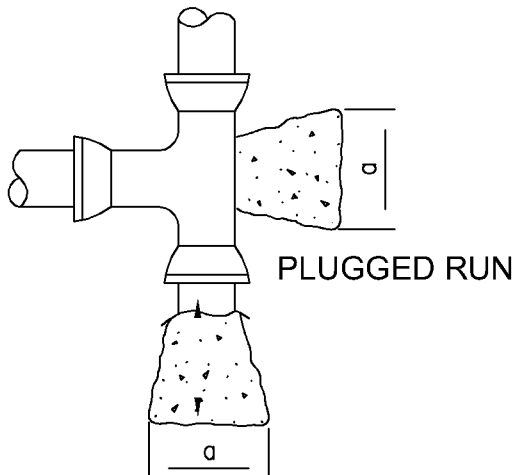
10degree TO 45degree BENDS

90degree BEND

PLUGGED CROSS



STD. TEE



PLUGGED RUN

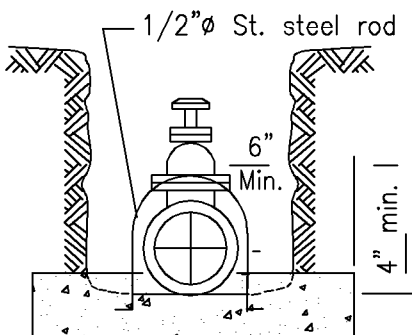
NOTE:

1. All Thrust Blocks shall bear against undisturbed Earth.
2. Thrust blocks for classes not shown shall be constructed as directed by the City Engineer.
3. All concrete shall be Class 'A'.
4. All unsupported surfaces shall be formed.
5. All concrete shall be kept clear of mechanical joint or flange bolts/nuts.

AREA (a) IN SQ. FT.

TYPE OF FITTING	SIZE OF PIPE							
	4"	6"	8"	10"	12"	14"	16"	18"
90° ELL	2	5	8	13	18	25	32	41
45° ELL	1	3	5	7	10	14	18	22
22 1/2° ELL	1	2	3	4	5	7	9	12
11 1/4° ELL	1	1	2	2	3	4	5	6
PLUG/TEE	1.5	4	6	9	13	18	23	29

Based on Soil bearing value of 2000 lbs. per sq. ft. and water pressure of 225 psi form as required to keep concrete off of mechanical joint or flange bolts.



GATE VALVE

NOT TO SCALE

STANDARD
DETAIL

CITY OF BRISBANE
DEPARTMENT OF PUBLIC WORKS

DATE: 04/01/08

THRUST BLOCKS

W-7